



R-Space
responsive

R-Space

R-SPACE FACILITATES A QUICK AND EASY PATH TO IN-ORBIT-DEMONSTRATIONS

Through its GreenBox service, R-Space is providing a product which is 100% dedicated to In-Orbit Demonstrations of space technologies. Adapted to the needs of a dynamic space business environment, the GreenBox service enables companies to verify the functionality of their product in space without losing precious time and subsequently to quickly enter the market with a product their customers can trust.

USP

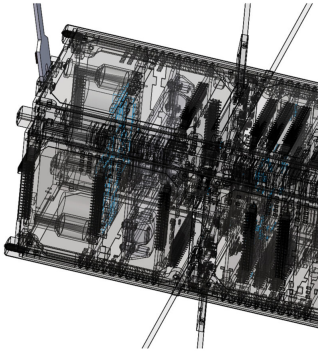
The GreenBox service is the fastest way to an In-Orbit Demonstration and is perfectly suited for customers with no previous knowledge of satellites or of in-space operations.

Target Market

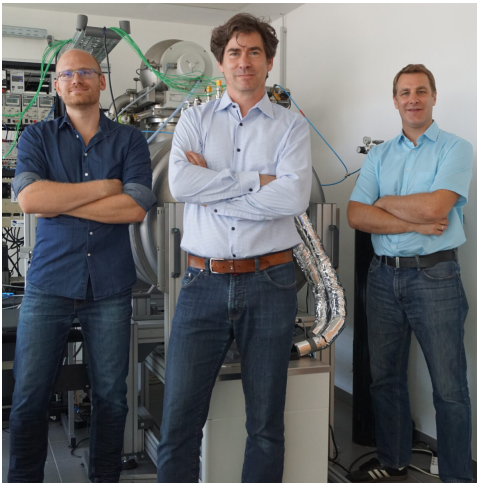
Start-ups and SMEs involved in the development of upstream space technology as well as research centers supporting such developments.

Space Connection

The GreenBox service will change the way we are thinking of In-Orbit Demonstrations (IOD). From the point of view of R-Space's customers, an IOD will be only one part of a test campaign rather than a complex space mission for which one has to wait many years.



PRODUCT PICTURE GREENBOX



TEAM R-SPACE

Contact: Office (office@r-space.at)
Website: <https://www.r-space.at>